



# GLARELESS PIN SPOT

PBROCHURE 2024





# GLARELESS PIN SPOT

---

“Imagine standing in a beautifully illuminated room, with no glare on the ceiling and no way of knowing where the light is coming from.

The innovative, durable and highly efficient Glareless Pin Spot is the way to achieve this. The LED light source is incorporated in the luminaire and the optic is arranged in such a way that it transmits the light through an opening of only 10mm. The LED light source is not visible, which means there is no glare making it unique in its kind.”



Dark wood cabinetry with a built-in oven. The oven is integrated into a tall cabinet on the left. The cabinets have a vertical wood grain and are accented with horizontal metal handles.

Open wooden shelves displaying various kitchen items, including a red plate with the text "GRAND HOTEL RITZ", jars, and bottles. The shelves are illuminated from below.

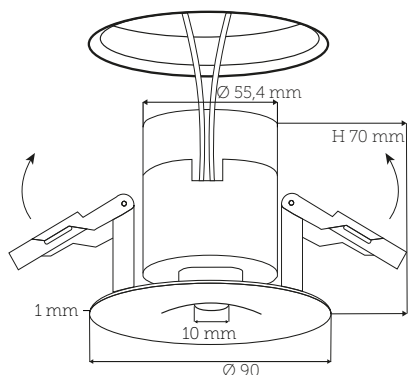
Countertop with a dark surface, featuring a sink, a potted plant, and other kitchenware. The countertop is supported by wooden cabinets with metal handles.



Large window with a view of the outdoors, featuring a potted plant on the sill. The window has a dark frame and is set in a corner.

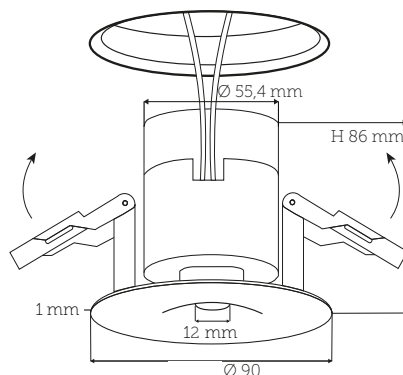
Dark cooktop surface, likely a built-in oven or induction cooktop, integrated into the countertop. The cooktop has a smooth, dark finish and is surrounded by a light-colored countertop.

# GLARELESS PIN SPOT WITH SPRING CLIP

 SINGLE-WHITE



  DUAL-WHITE & RGB+W



## SINGLE WHITE 2700K - 20°/ 40° - SPRING CLIPS

EXTERNAL DRIVER

DIFFERENT COLOUR TEMPERATURE ON REQUEST (2200K -3000K -4000K)

ART: G-SW27-20/40-E

LIGHT ENGINE

G-SC-90-SW

FLANGE WITH SPRING CLIPS

EXTERNAL DRIVER

0-10V, DALI, CASAMBI, DMX, PHASE DIM

## DUAL WHITE - 2000K- 4000K - 20°/ 40° - SPRING CLIPS

EXTERNAL DRIVER

ART: G-DW-20/40-E

LIGHT ENGINE

G-SC-90-DW- RGBW

FLANGE WITH SPRING CLIPS

EXTERNAL DRIVER

0-10V, DALI, CASAMBI, DMX, PHASE DIM

INTERNAL DRIVER

ART: G-DW-20/40-CAS

LIGHT ENGINE, CASAMBI

G-SC-90-DW-RGBW

FLANGE WITH SPRING CLIPS

POWER SUPPLY

24V DC

ART: G-DW-20/40-DMX

LIGHT ENGINE, DMX

G-SC-90-DW-RGBW

FLANGE WITH SPRING CLIPS

POWER SUPPLY

24V DC

## RGB+W - 20°/ 40° - SPRING CLIPS

INTERNAL DRIVER

ART: G-RGBW-20/40-CAS

LIGHT ENGINE, CASAMBI

G-SC-90 DW-RGBW

FLANGE WITH SPRING CLIPS

POWER SUPPLY

24V DC

ART: G-RGBW-20/40-DMX

LIGHT ENGINE, DMX

G-SC-90-DW-RGBW

FLANGE WITH SPRING CLIPS

POWER SUPPLY

24V DC

BEAM ANGLE



20° - 40°

LIGHT OUTPUT



400-600 lumen

CRI



RA 96

ENERGY USAGE



max. 12  
Watt

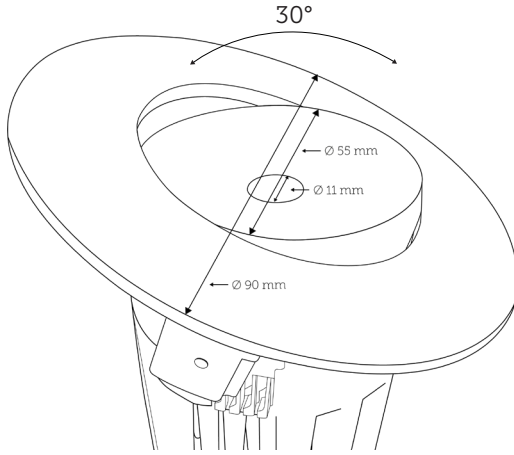
LIFE SPAN



70% (after  
50.000 hours)

# GLARELESS PIN SPOT

## ADJUSTABLE



### ■ SINGLE WHITE 2700K - 20°/ 40° - ADJUSTABLE

#### EXTERNAL DRIVER

DIFFERENT COLOUR TEMPERATURE ON REQUEST (2200K -3000K -4000K)

ART:	<i>G-SW27-20/40-E</i>	<i>LIGHT ENGINE</i>	€ 106,70
	<i>G-ADJ-SW</i>	<i>ADJUSTABLE 30°</i>	€ 51,70
	EXTERNAL DRIVER	<i>0-10V, DALI, CASAMBI, DMX, PHASE DIM</i>	P.O.R

### ■ DUAL WHITE - 2000K-4000K - 20°/ 40°- ADJUSTABLE

#### EXTERNAL DRIVER

ART:	<i>G-DW-20/40-E</i>	<i>LIGHT ENGINE</i>	€ 154,-
	<i>G-ADJ-DW-RGBW</i>	<i>ADJUSTABLE 30°</i>	€ 51,70
	EXTERNAL DRIVER	<i>0-10V, DALI, CASAMBI, DMX, PHASE DIM</i>	P.O.R

#### INTERNAL DRIVER

ART:	<i>G-DW-20/40 -CAS</i>	<i>LIGHT ENGINE, CASAMBI</i>	€ 275,-
	<i>G-ADJ-DW-RGBW</i>	<i>ADJUSTABLE 30°</i>	€ 51,70
	POWER SUPPLY	<i>24V DC</i>	P.O.R
ART:	<i>G-DW-20/40 -DMX</i>	<i>LIGHT ENGINE, DMX</i>	€ 204,60
	<i>G-ADJ-DW-RGBW</i>	<i>ADJUSTABLE 30°</i>	€ 51,70
	POWER SUPPLY	<i>24V DC</i>	P.O.R

### ■ RGB+W - 20°/ 40° - ADJUSTABLE

#### INTERNAL DRIVER

ART:	<i>G-RGBW-20/40-CAS</i>	<i>LIGHT ENGINE, CASAMBI</i>	€ 343,20
	<i>G-ADJ-DW-RGBW</i>	<i>ADJUSTABLE 30°</i>	€ 51,70
	POWER SUPPLY	<i>24V DC</i>	P.O.R
ART:	<i>G-RGBW-20/40-DMX</i>	<i>LIGHT ENGINE, DMX</i>	€ 273,90
	<i>G-ADJ-DW-RGBW</i>	<i>ADJUSTABLE 30°</i>	€ 51,70
	POWER SUPPLY	<i>24V DC</i>	P.O.R

BEAM ANGLE



6 20° - 40°

LIGHT OUTPUT



400-600 lumen

CRI



RA 96

ENERGY USAGE



max. 12  
Watt

LIFE SPAN

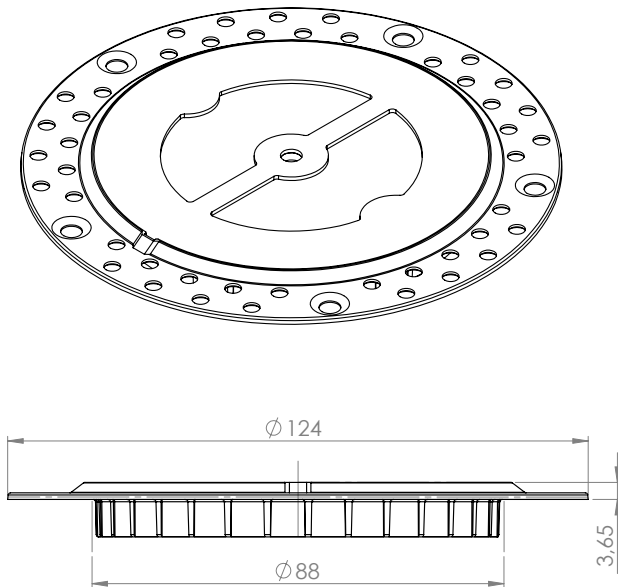


70% (after  
50.000 hours)

# GLARELESS PIN SPOT PLASTER RING

---

“ THE GLARELESS PIN SPOT WITH PLASTER RING IS THE ULTIMATE IN MINIMALISM! ”



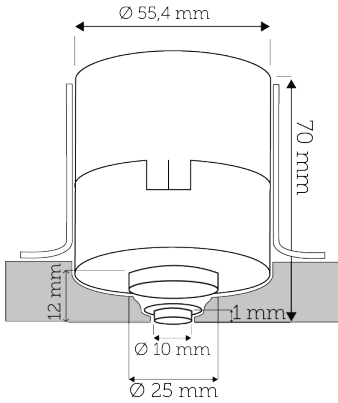
PLASTER RING  
ART: G-PR



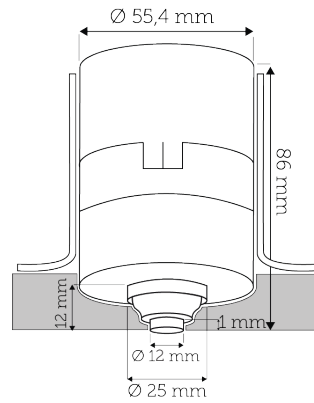


# GLARELESS PIN SPOT WITH CONTRA CONSTRUCTION

 SINGLE-WHITE



  DUAL-WHITE & RGB+W



 SINGLE WHITE - 2700K - 20°/ 40° - CONTRA  
EXTERNAL DRIVER

DIFFERENT COLOUR TEMPERATURE ON REQUEST (2200K - 3000K - 4000K)

ART: *G-SW27-20/40-E* LIGHT ENGINE  
*G-CON-SW* CONTRA CONSTRUCTION  
EXTERNAL DRIVER 0-10V, DALI, CASAMBI, DMX, PHASE DIM

 DUAL WHITE - 2000K-4000K - 20°/ 40° - CONTRA  
EXTERNAL DRIVER

ART: *G-DW-20/40-E* LIGHT ENGINE  
*G-CON-DW-RGBW* CONTRA CONSTRUCTION  
EXTERNAL DRIVER 0-10V, DALI, CASAMBI, DMX, PHASE DIM

INTERNAL DRIVER

ART: *G-DW-20/40-CAS* LIGHT ENGINE, CASAMBI  
*G-CON-DW-RGBW* CONTRA CONSTRUCTION  
POWER SUPPLY 24V DC

ART: *G-DW-20/40-DMX* LIGHT ENGINE, DMX  
*G-CON-DW-RGBW* CONTRA CONSTRUCTION  
POWER SUPPLY 24V DC

 RGB+W - 20°/ 40° - CONTRA

INTERNAL DRIVER

ART: *G-RGBW-20/40-CAS* LIGHT ENGINE, CASAMBI  
*G-CON-DW-RGBW* CONTRA CONSTRUCTION  
POWER SUPPLY 24V DC

ART: *G-RGBW-20/40-DMX* LIGHT ENGINE: DMX  
*G-CON-DW-RGBW* CONTRA CONSTRUCTION  
POWER SUPPLY 24V DC

BEAM ANGLE



20° - 40°

LIGHT OUTPUT



400-600 lumen

CRI



RA 96

ENERGY USAGE



max. 12  
Watt

LIFE SPAN




70% (after  
50.000 hours)

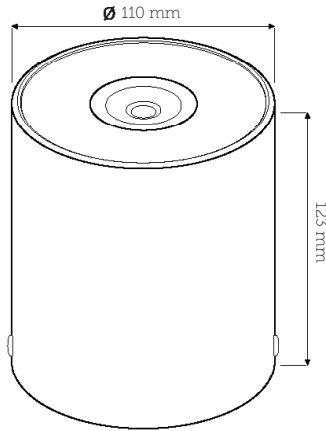


# GLARELESS PIN SPOT

## SURFACE MOUNTED SPOT

---

 DUAL-WHITE & RGB+W



### DUAL WHITE -2000K-4000K - 20°/ 40° SURFACE MOUNTED INTERNAL DRIVER

ART: *G-DW-20/40-CAS*      *LIGHT ENGINE, CASAMBI*  
*G-SUR*      *SURFACE MOUNTED HOUSING*  
*G-SC-104-DW-RGBW*      *FLANGE WITH SPRING CLIPS*  
POWER SUPPLY      *24V DC*

### RGB+W - 2700K - 20°/ 40°- SURFACE MOUNTED INTERNAL DRIVER

ART: *G-RGBW-20/40-CAS*      *LIGHT ENGINE, CASAMBI*  
*G-SUR*      *SURFACE MOUNTED HOUSING*  
*G-SC-104-DW-RGBW*      *FLANGE WITH SPRING CLIPS*  
POWER SUPPLY      *24V DC*

BEAM ANGLE



20° - 40°

LIGHT OUTPUT



400-600 lumen

CRI



RA 96

ENERGY USAGE



max. 12  
Watt

LIFE SPAN



70% (after 11  
50.000 hours)



INTEGRATION	DIMENSIONS FLANGE	RAL FLANGE
SC = Spring Clips	90= 90 mm	W= White
ADJ = Adjustable	104 = 104mm	B= Black
CON = Contra Construction		CUS= Customized
SUR = Surface Mounted		

## MANUALS

[WWW.DYDELL.COM](http://WWW.DYDELL.COM)

Want to know more about the wiring and connecting the engine to the driver? Scan the QR code below to go to the instruction page on our website. Is the QR code not working? Copy this link: <https://www.dydell.com/nl/video-instructies-handleidingen/> into your browser.





**DYDELL**

L I G H T

DYDELL BV

The Netherlands

[info@dydell.com](mailto:info@dydell.com)

[www.dydell.com](http://www.dydell.com)

T +31 (0)23 529 3888

